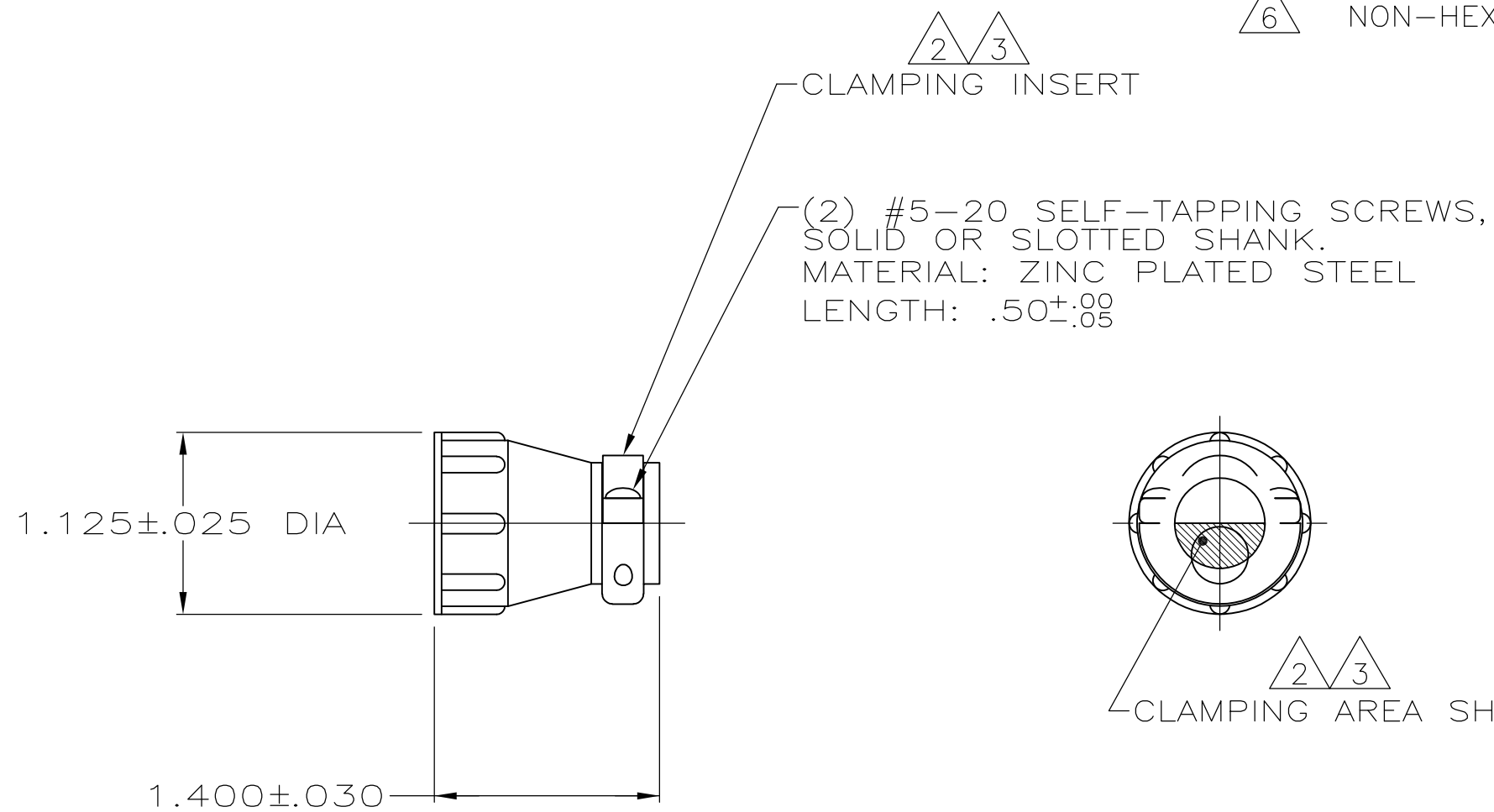


THIS DRAWING IS UNPUBLISHED. RELEASED FOR PUBLICATION  
 © COPYRIGHT BY TYCO ELECTRONICS CORPORATION. ALL INTERNATIONAL RIGHTS RESERVED.

LOC	DIST	REVISIONS					
FT	0	P	LTR	DESCRIPTION	DATE	DWN	APVD
		N		REVISED PER ECO-08-029122	22NOV08	HMR	MS

- 1 PART PACKAGED UNASSEMBLED.
- △2 CABLE CLAMPING AREA ADJUSTABLE FROM .010 TO .161 SQ IN BY REVERSING CLAMPING INSERTS. (2 INSERTS SUPPLIED)
- △3 CABLE CLAMPING AREA ADJUSTABLE FROM .010 TO .161 SQ IN BY CHANGING CLAMPING INSERTS. (4 INSERTS SUPPLIED, -4 ONLY)
- 4 .453 MAXIMUM CABLE OUTSIDE DIAMETER.
- △5 BULK PACKAGED KITS TO BE ORDERED IN MULTIPLES OF 200 ONLY.
- △6 NON-HEXAVALENT CHROMATE FINISH.



△6	INDIVIDUAL	1-206070-1
△2 △6	△5 BULK	1-206070-0
△2 △6	SMALL PACK	206070-9
△2 △6	INDIVIDUAL	206070-8
△6	INDIVIDUAL	206070-7
△6	SMALL PACK	206070-6
OBSOLETE	△5 BULK	206070-4
△6 △2	△5 BULK	206070-3
△6 △2	INDIVIDUAL	206070-1
PACKAGING		PART NUMBER

THIS DRAWING IS A CONTROLLED DOCUMENT.		DWN	4/23/91		Tyco Electronics Corporation		
		CHK	7-22-92		Harrisburg, PA 17105-3608		
		APVD	-		CABLE CLAMP KIT, STANDARD, SHELL SIZE 17, CPC		
DIMENSIONS: INCHES		TOLERANCES UNLESS OTHERWISE SPECIFIED:		PRODUCT SPEC			
		0 PLC ± -		108-10024			
		1 PLC ± -		APPLICATION SPEC			
		2 PLC ± -		-			
		3 PLC ± -		SIZE			
		4 PLC ± -		CAGE CODE			
		ANGLES ± -		DRAWING NO			
MATERIAL		FINISH		RESTRICTED TO			
THERMOPLASTIC		-		-			
CUSTOMER DRAWING				SCALE		SHEET	
				NTS		1 OF 1	
				REV		N	